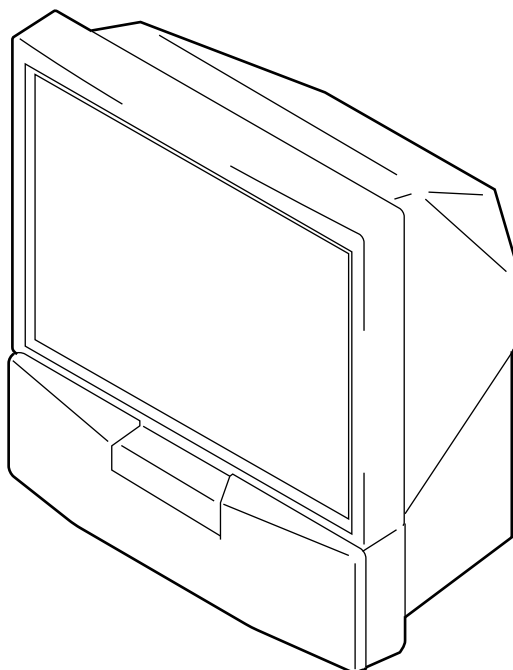
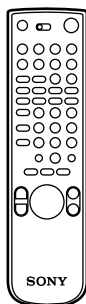


# SERVICE MANUAL

# RE-2 CHASSIS

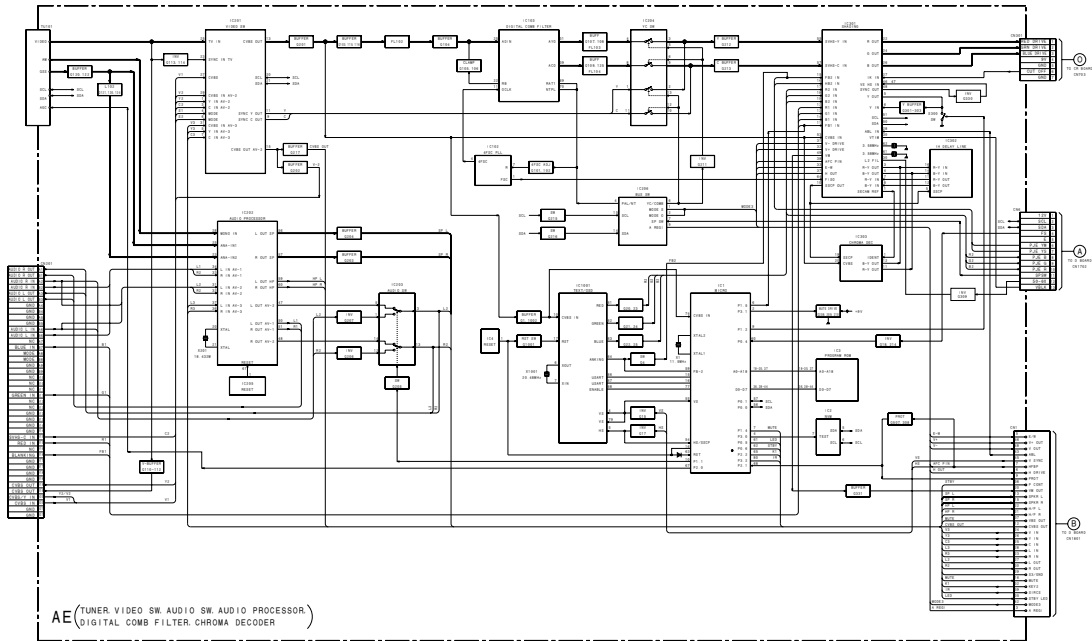
<u>MODEL</u>	<u>COMMANDER</u>	<u>DEST.</u>	<u>CHASSIS NO.</u>	<u>MODEL</u>	<u>COMMANDER</u>	<u>DEST.</u>	<u>CHASSIS NO.</u>
KP-41S5	RM-862	AEP	SCC-N60C-A	KP-41S5K	RM-862	OIRT	SCC-N62D-A
KP-41S5B	RM-862	French	SCC-N63B-A	KP-41S5R	RM-862	Russian	SCC-N62C-A
KP-41S5G	RM-862	Greek	SCC-N60D-A	KP-41S5U	RM-862	UK	SCC-N61B-A



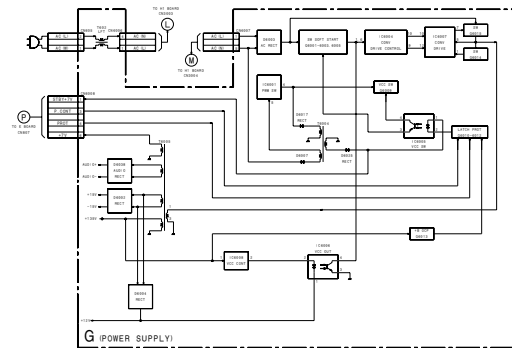
\* Please file according to model size. ....

SECTION 6  
DIAGRAM

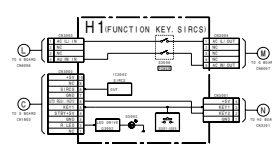
6-1. BLOCK DIAGRAM (1)



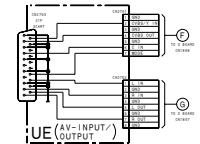
AE (TUNER VIDEO SW AUDIO SW AUDIO PROCESSOR)  
(DIGITAL COMB FILTER CHROMA DECODER)



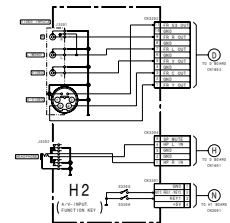
G (POWER SUPPLY)



H1 (FUNCTION KEY, SIRCS)

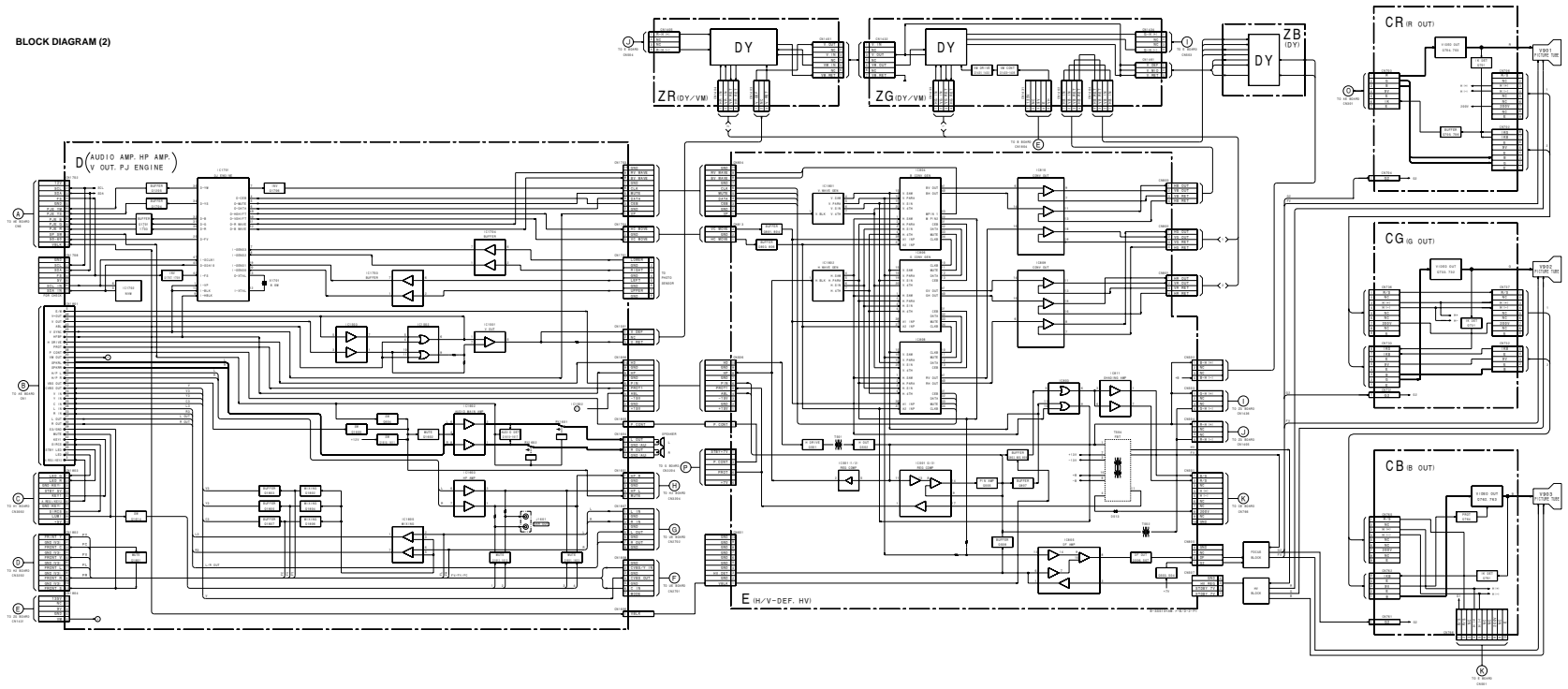


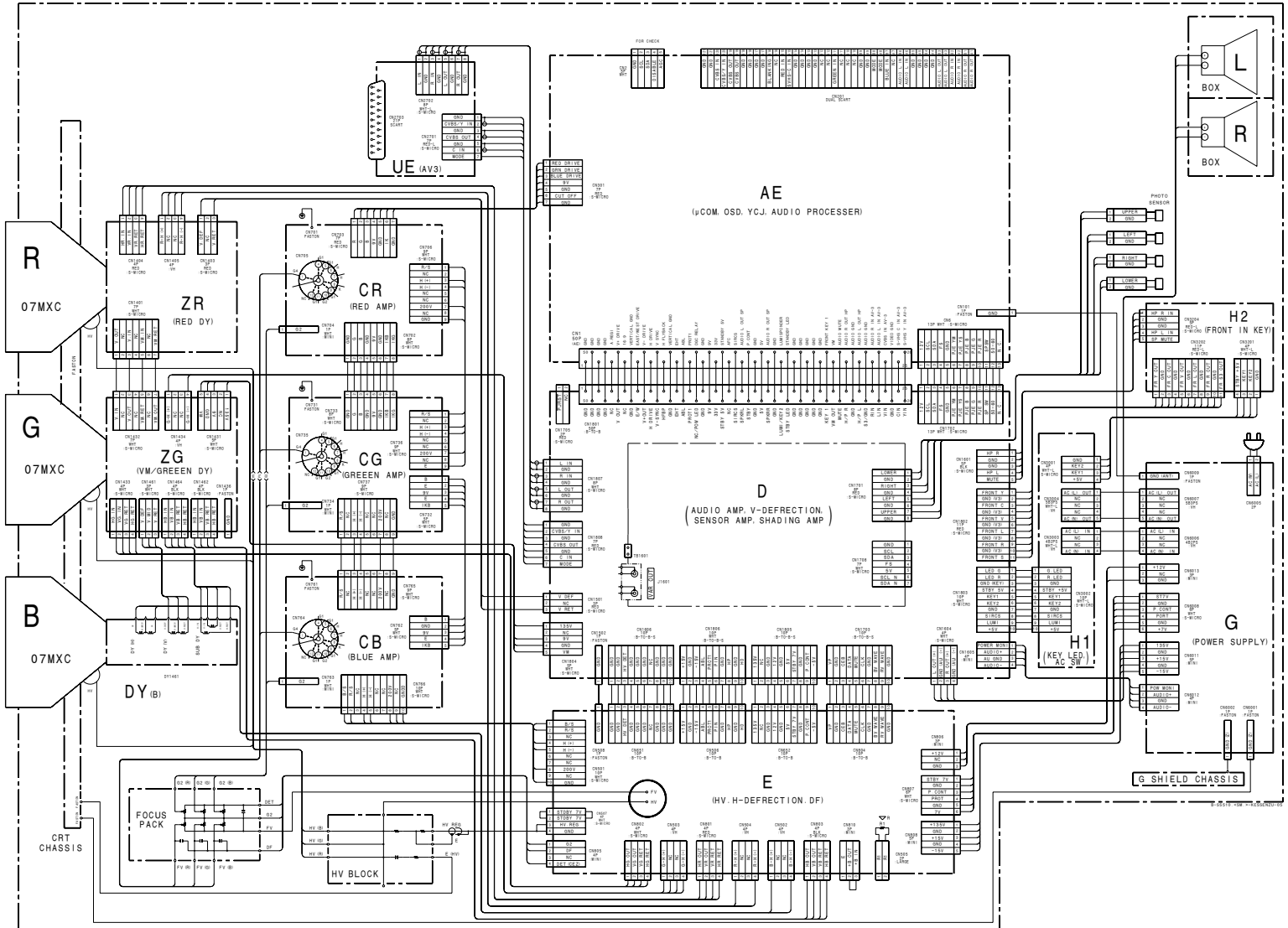
UE (AV-INPUT/OUTPUT)



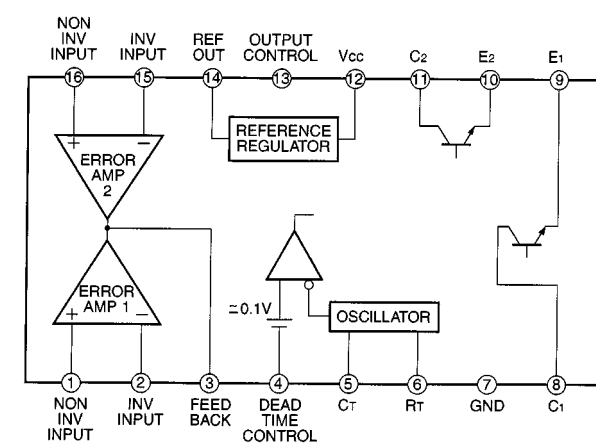
H2  
(AV-INPUT/OUTPUT FUNCTION KEY)

BLOCK DIAGRAM (2)

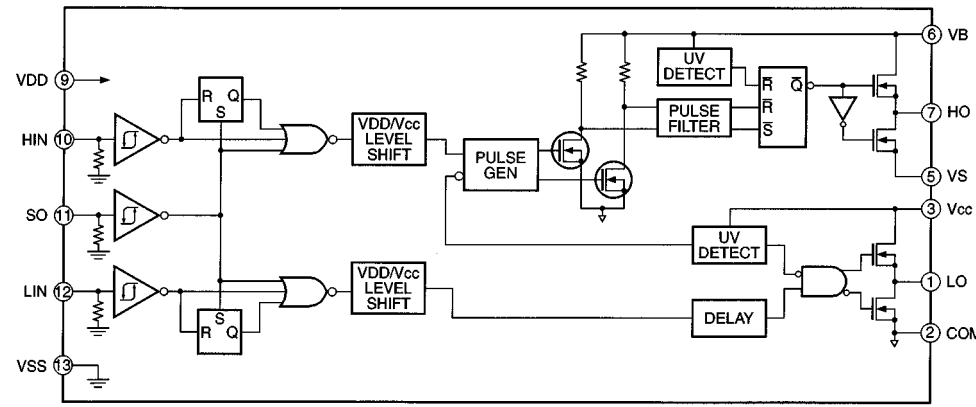




**G BOARD : IC6004 IR3M02**



**G BOARD : IC6007 IR2112**



**G BOARD IC VOLTAGE LIST**

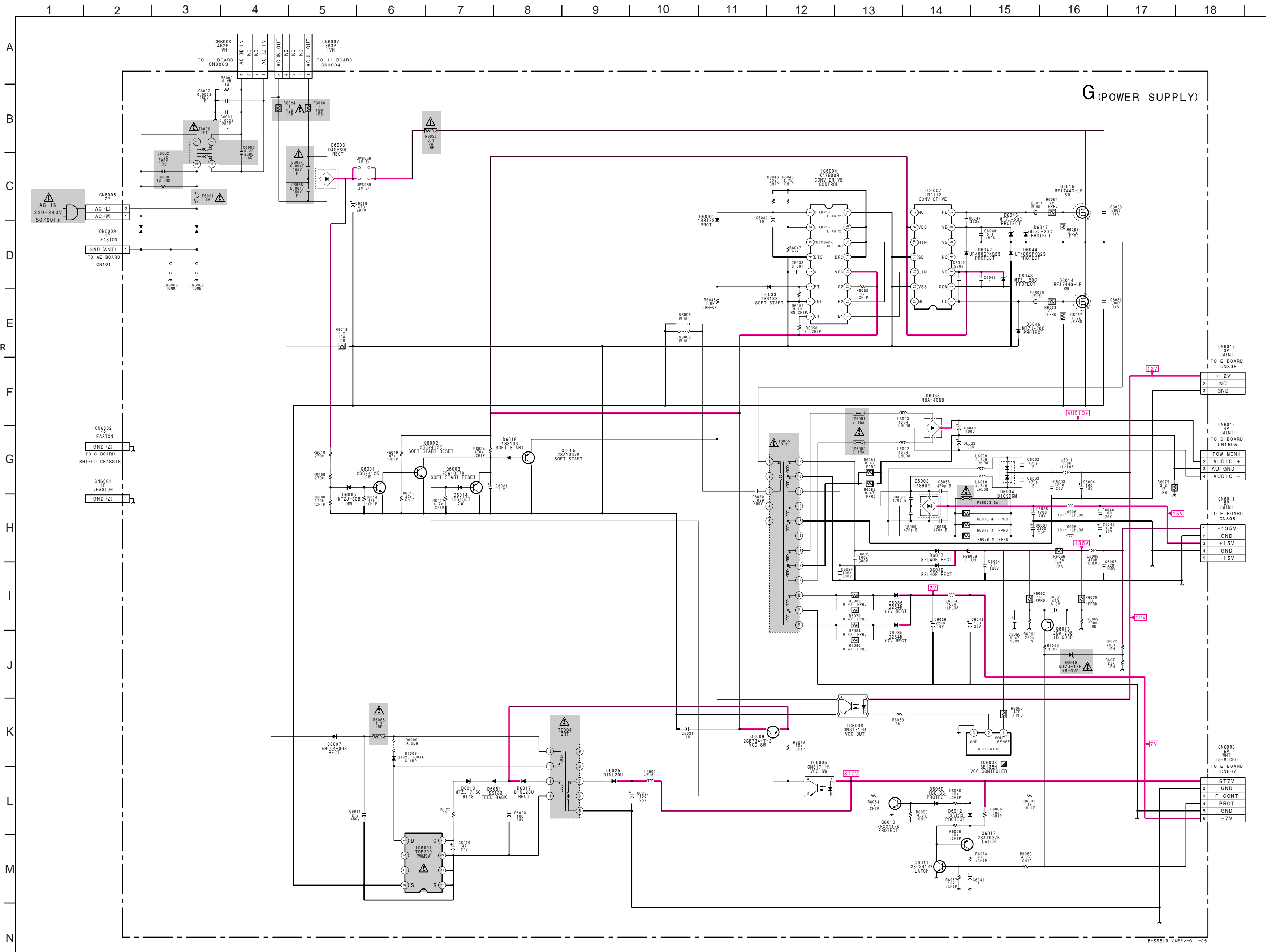
REF.	NO.	VOL.
●IC6001	1	GND
	2	GND
	3	GND
	4	5.9
	5	296.0
	8	GND
●IC6004	1	3.9
	2	4.8
	4	GND
	5	1.7
	6	3.9
	7	GND
	8	14.1
	9	5.8
	10	6.4
	11	14.4
	12	14.5
	13	5.3
	14	5.3
	15	5.3
	16	GND
IC6005	1	7.0
	2	5.8
●	3	13.5
●	4	13.8
IC6006	1	14.0
	2	13.0
●	3	GND
●	4	3.0
●IC6007	1	6.2
	2	GND
	3	14.5
	5	147.0
	6	150.0
	7	150.0
	9	14.5
	10	6.4
	11	GND
	12	5.8
	13	GND
IC6008	1	134.5
	2	12.5
	3	GND

All voltages are in V.  
 \*All voltages are in V.  
 \*Pin numbers which are not described are not used.  
 ●: The figures in the parentheses are the voltage difference from primary side ground.

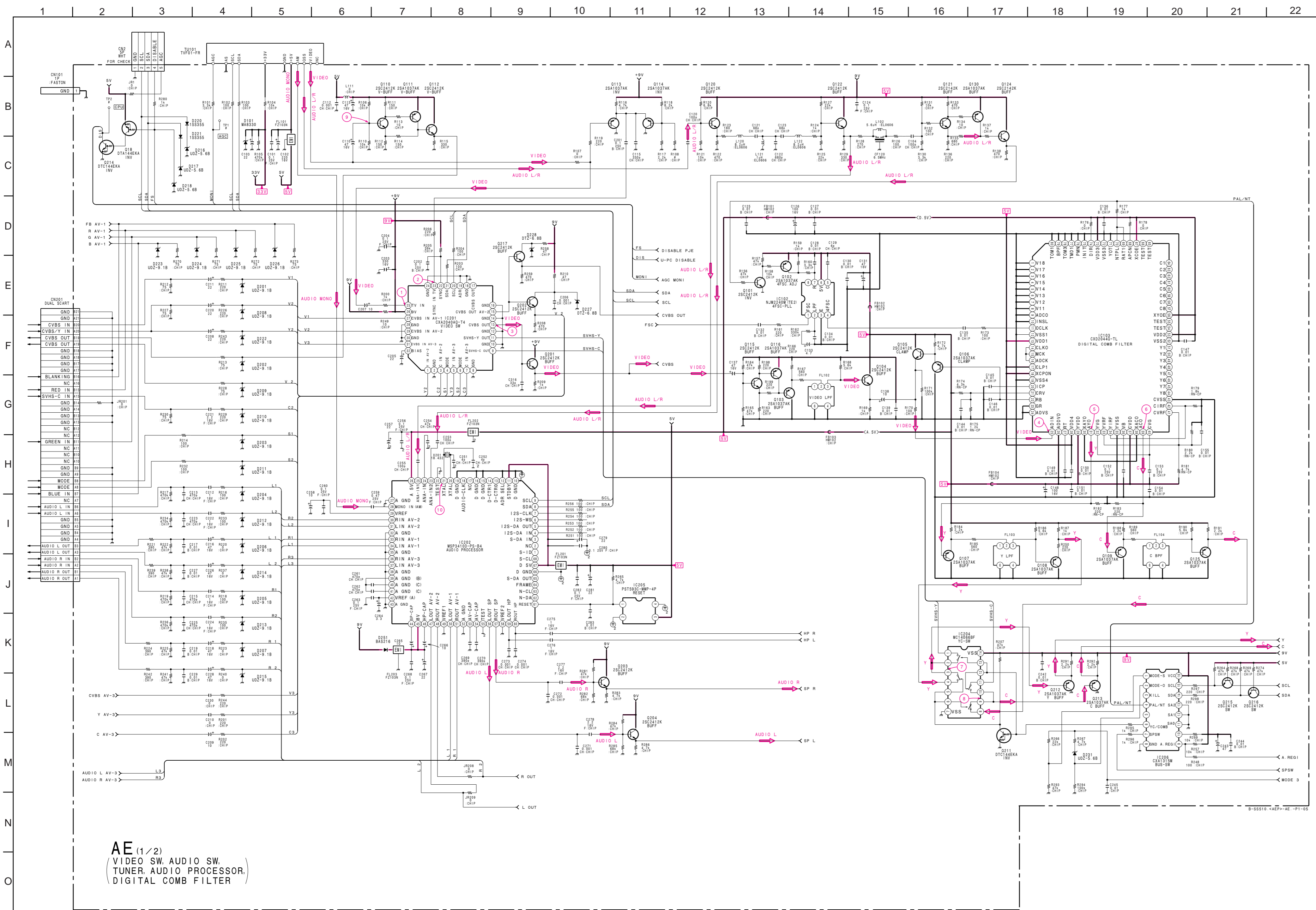
**G BOARD TRANSISTOR VOLTAGE LIST**

REF.	VOL.
●Q6001	B 0.8
	C 0
	E 0
●Q6002	E GND
●Q6003	E 13.8
	C GND
	B 5.1
●Q6005	B 0.7
	C GND
●Q6009	E 14.5
	C 14.5
	B 0.7
Q6010	E GND
	C 0.1
Q6011	B 0
	E GND
	C 7.0
Q6012	B 7.0
	E 7.0
	C 0
Q6013	E 135.1
	C 0
●Q6014	D 147.0
	G 150.0
●Q6015	D 292.0
	S 147.0

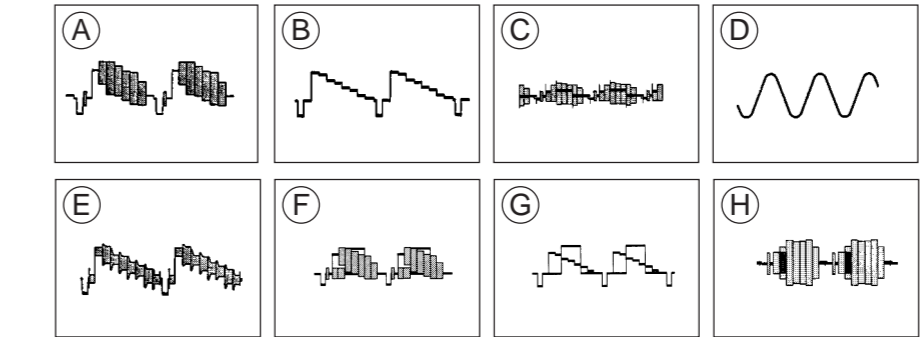
All voltages are in V.  
 ●: The figures in the parentheses are the voltage difference from primary side ground.



Schematic diagram  
 G board →



• AE(1/2) BOARD WAVEFORMS



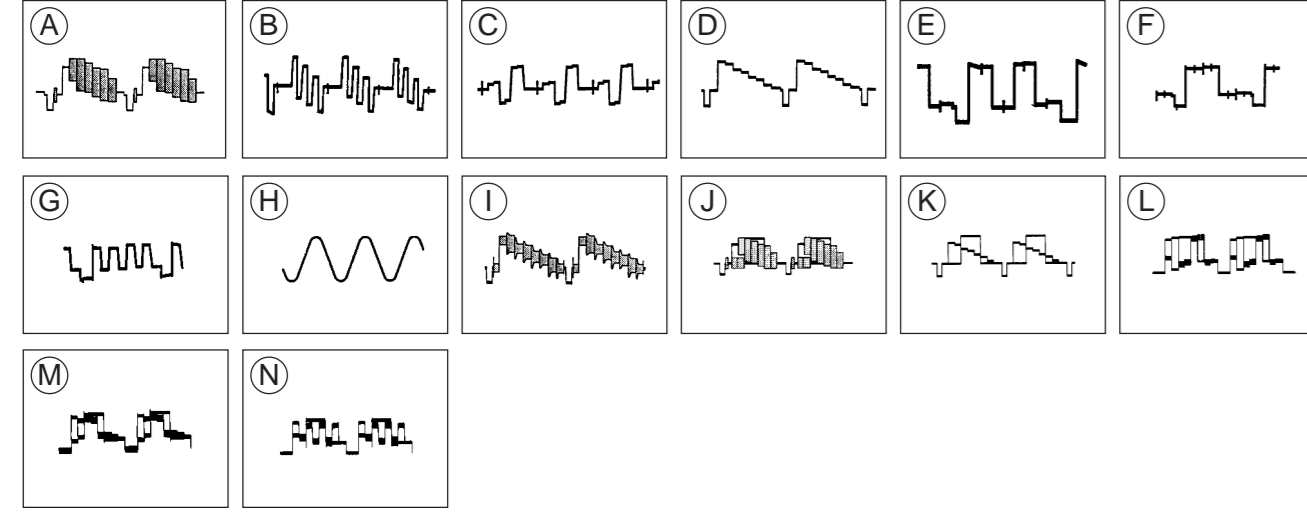
• WAVEFORMS AE(1/2) BOARD

CIRCUIT WAVEFORM REFERENCE	PAL	SECAM	NTSC
1	A 1.1Vp-p(8)	E 1.2Vp-p(8)	F 1.6Vp-p(8)
2	A 0.9Vp-p(8)	E 1.0Vp-p(8)	F 0.9Vp-p(8)
3	A 1.0Vp-p(8)	E 1.2Vp-p(8)	F 1.5Vp-p(8)
4	A 1.7Vp-p(8)	E 1.8Vp-p(8)	F 2.2Vp-p(8)
5	B 1.3Vp-p(8)	B 1.3Vp-p(8)	G 1.6Vp-p(8)
6	C 0.4Vp-p(8)	C 0.4Vp-p(8)	H 1.5Vp-p(8)
7	B 1.1Vp-p(8)	B 1.1Vp-p(8)	H 1.2Vp-p(8)
8	C 0.5Vp-p(8)	C 0.4Vp-p(8)	H 1.2Vp-p(8)
9	A 1.1Vp-p(8)	E 1.2Vp-p(8)	F 1.4Vp-p(8)
10	D 1.6Vp-p(16.4MHz)		

AE(1/2) BOARD IC VOLTAGE LIST

REF	NO.	VOL	REF	NO.	VOL	REF	NO.	VOL
IC102	1	2.4	2	GND	45	8.2		
	2	1.9(2.1)	3	4.3	46	7.1		
	3	GND	4	0.2	47	4.6(-3.9)(-3.9)		
	4	2.9	5	4.2	48	4.5(-3.9)(-3.9)		
	5	3.0	6	0.2	49	GND		
	6	4.7	7	4.3	50	4.6(-3.9)(-3.9)		
	7	3.4	8	GND	51	4.5(-3.9)(-3.9)		
IC103	1	GND	9	4.3	52	GND		
	2	GND	10	GND	53	4.7(-3.9)(-3.9)		
	3	GND	11	4.3	54	4.7(-3.9)(-3.9)		
	4	GND	12	GND	55	GND		
	5	GND	13	4.3	56	0		
	6	GND	14	GND	57	0		
	7	GND	15	4.3	58	GND		
	8	GND	16	GND	59	0.2		
	9	GND	17	GND	60	0.2		
	10	GND	18	GND	61	4.7		
	11	2.3	19	GND	66	GND		
	12	GND	20	4.3	67	4.8		
	13	4.5	21	4.5	67	4.8		
	14	2.0	22	4.6	IC203	1	4.3	
	15	2.0	23	3.2	2	GND		
	16	2.0	24	GND	3	4.4(-3.8)(-3.8)		
	17	4.5	25	4.3	4	GND		
	18	4.56	26	8.5	5	4.5(-4.5)(-3.8)		
	19	GND	27	4.3	6	GND		
	20	0	28	GND	7	GND		
	21	1.1	29	0	8	GND		
	22	0.6	30	GND	9	GND		
	23	GND	31	4.3	10	8.9		
	24	GND	32	4.3	11	GND		
	25	1.2	33	2.5	12	4.3		
	26	4.5	34	2.4	13	4.4(-3.8)(-3.8)		
	27	2.3	35	1.5	14	4.4(-3.8)(-3.8)		
	28	4.5	36	1.5	15	GND		
	29	4.5	37	4.5	16	8.9		
	30	GND	38	4.7(4.4)	17	4.3		
	31	0.6(0.8)	39	0	18	GND		
	32	2.6	40	GND	19	GND		
	33	1.5	41	4.7	20	0		
	34	1.5	42	1.5	21	2.3		
	35	GND	43	1.5	22	GND		
	36	0.9	44	2.6	23	0.5(-0.9)		
	37	4.5	45	1.5	24	1.6		
	38	GND	46	4.5	25	1.6		
	39	0.8	47	1.5	26	1.6		
	40	2.6	48	2.6	27	4.8		
	41	GND	49	0.5	28	3.9		
	42	1.5	50	4.5	29	2.7		
	43	GND	51	4.5	30	3.9		
	44	2.6	52	GND	31	3.9		
	45	4.5	53	4.5	32	GND		
	46	4.5	54	4.5	33	3.9		
	47	5.0(-4.5)(-4.8)	55	4.5	34	3.9		
	48	4.5	56	4.5	35	GND		
	49	0.5	57	4.5	36	0.9		
	50	0.5	58	4.5	37	2.3		
	51	GND	59	4.5	38	GND		
	52	GND	60	4.5	39	0.8		
	53	GND	61	4.5	40	2.6		
	54	GND	62	4.5	41	1.5		
	55	GND	63	4.5	42	1.5		
	56	GND	64	4.5	43	GND		
	57	GND	65	4.5	44	2.6		
	58	GND	66	4.5	45	1.5		
	59	GND	67	4.5	46	1.5		
	60	GND	68	4.5	47	1.5		
	61	GND	69	4.5	48	1.5		
	62	GND	70	4.5	49	1.5		
	63	GND	71	GND	50	4.5		
	64	GND	72	GND	51	GND		
	65	GND	73	5.0	52	GND		
	66	GND	74	5.0(4.5)	53	GND		
	67	GND	75	GND	54	GND		
	68	GND	76	GND	55	GND		
	69	GND	77	GND	56	GND		
	70	GND	78	GND	57	GND		
	71	GND	79	GND	58	GND		
	72	GND	80	GND	59	GND		
	73	GND	81	GND	60	GND		
	74	GND	82	GND	61	GND		
	75	GND	83	GND	62	GND		
	76	GND	84	GND	63	GND		
	77	GND	85	GND	64	GND		
	78	GND	86	GND	65	GND		
	79	GND	87	GND	66	GND		
	80	GND	88	GND	67	GND		
	81	GND	89	GND	68	GND		
	82	GND	90	GND	69	GND		
	83	GND	91	GND	70	GND		
	84	GND	92	GND	71	GND		
	85	GND	93	GND	72	GND		
	86	GND	94	GND	73	GND		
	87	GND	95	GND	74	GND		
	88	GND	96	GND	75	GND		
	89	GND	97	GND	76	GND		
	90	GND	98	GND	77	GND		
	91	GND	99	GND	78	GND		
	92	GND	100	GND	79	GND		
	93	GND	101	GND	80	GND		
	94	GND	102	GND	81	GND		
	95	GND	103	GND	82	GND		
	96	GND	104	GND	83	GND		
	97	GND	105	GND	84	GND		
	98	GND	106	GND	85	GND		
	99	GND	107	GND	86	GND		
	100	GND	108	GND	87	GND		
	101	GND	109	GND	88	GND		
	102	GND	110	GND	89	GND		
	103	GND	111	GND	90	GND		
	104	GND	112	GND	91	GND		
	105	GND	113	GND	92	GND		
	106	GND	114	GND	93	GND		
	107	GND	115	GND	94	GND		
	108	GND	116	GND	95	GND		
	109	GND	117	GND	96	GND		
	110	GND	118	GND	97	GND		
	111	GND	119	GND	98	GND		
	112	GND	120	GND	99	GND		
	113	GND	121	GND	100	GND		
	114	GND	122	GND	101	GND		
	115	GND	123	GND	102	GND		
	116	GND	124	GND	103	GND		
	117	GND	125	GND	104	GND		
	118	GND	126	GND	105	GND		
	119	GND	127	GND	106	GND		
	120	GND	128	GND	107	GND		
	121	GND	129	GND	108	GND		
	122	GND	130	GND	109	GND		
	123	GND	131	GND	110	GND		
	124	GND	132	GND	111	GND		
	125	GND	133	GND	112	GND		
	126	GND	134	GND	113	GND		
	127	GND	135	GND	114	GND		
	128	GND	136	GND	115	GND		
	129	GND	137	GND	116	GND		
	130	GND	138	GND	117	GND		
	131	GND	139	GND	118	GND		
	132	GND	140	GND	119	GND		
	133	GND	141	GND	120	GND		
	134	GND	142	GND	121	GND		
	135	GND	143	GND	122	GND		
	136	GND	144	GND	123	GND		
	137	GND	145	GND	124	GND		
	138	GND	146	GND	125	GND		
	139	GND	147	GND	126	GND		
	140	GND	148	GND	127	GND		
	141	GND	149	GND	128	GND		
	142	GND	150	GND	129	GND		
	143	GND	151	GND	130	GND		
	144	GND	152	GND	131	GND		
	145	GND	153	GND	132	GND		
	146	GND	154	GND	133	GND		
	147	GND	155	GND	134	GND		
	148	GND	156	GND	135	GND		
	149	GND	157	GND	136	GND		
	150	GND	158	GND	137	GND		
	151	GND	159	GND	138	GND		
	152	GND	160	GND	139	GND		
	153	GND	161	GND	140	GND		
	154	GND	162					

• AE(2/2) BOARD WAVEFORMS



• WAVEFORMS AE(2/2) BOARD

CIRCUIT WAVEFORM REFERENCE	PAL	SECAM	NTSC
1	A 1.0Vp-p(H)	I 1.2Vp-p(H)	J 1.6Vp-p(H)
2	C 0.6Vp-p(H)	C 1.0Vp-p(H)	C 0.4Vp-p(H)
3	B 0.6Vp-p(H)	B 1.5Vp-p(H)	B 0.4Vp-p(H)
4	B 1.3Vp-p(H)	B 1.1Vp-p(H)	B 1.0Vp-p(H)
5	C 1.1Vp-p(H)	C 1.5Vp-p(H)	C 0.6Vp-p(H)
6	A 1.0Vp-p(H)	I 1.2Vp-p(H)	J 1.6Vp-p(H)
7	D 1.8Vp-p(H)	D 2.2Vp-p(H)	K 2.2Vp-p(H)
8	E 3.6Vp-p(H)	E 3.9Vp-p(H)	L 3.9Vp-p(H)
9	F 3.6Vp-p(H)	F 3.9Vp-p(H)	M 3.9Vp-p(H)
10	G 3.4Vp-p(H)	G 3.7Vp-p(H)	N 3.9Vp-p(H)
11	H 3.4Vp-p(1.5MHz)		
12	H 3.7Vp-p(2.49MHz)		

AE(2/2) BOARD IC VOLTAGE LIST

REF	NO.	VOL.	REF	NO.	VOL.	REF	NO.	VOL.
IC1	2	0	4	GND		36	8.9	
	3	5.0	5	4.4(4.6)		37	3.2	
	4	5.0	6	4.2(4.4)		38	3.4	
	5	5.0	7	4.9		39	4.7	
	6	0	8	5.0		40	4.2	
	7	0.8	1	5.0		41	2.4	
	8	0.1	2	*		42	GND	
	9	0.1	3	*		43	1.8	
	10	0	4	*		44	8.9	
	11	1.8	5	1.9		45	2.5	
	12	GND	6	*		46	4.0	
	13	5.0	7	2.8		47	3.2	
	14	2.4	8	2.5		48	4.4	
	15	2.3	9	2.2		49	6.4	
	16	4.6(5.0)	10	2.5		50	4.5	
	17	1.7	11	2.5		51	3.9(4.5)	
	18	0	12	2.5		52	4.2(3.9)	
	19	3.0	13	2.1		53	4.0(4.2)	
	20	0	14	2.0		54	5.0	
	21	2.5(2.9)	15	2.1		55	4.0	
	22	1.0	16	GND		57	4.2	
	23	3.5(3.2)	17	1.9(1.7)(1.9)		58	8.9	
	24	3.2	18	2.8		60	5.5(4.7)(5.6)	
	25	2.2(1.8)	19	2.9		61	2.4(1.4)	
	26	2.4	20	2.7		62	7.4(5.9)	
	27	2.6	21	3.0		63	GND	
	28	3.0	22	GND		64	5.3	
	29	2.7	23	GND	IC302	1	4.9	
	30	2.7	24	GND		3	GND	
	31	2.6	25	*		4	GND	
	32	2.7	26	*		8	4.6	
	33	2.7	27	*		8	GND	
	34	2.6	28	*		9	4.9	
	35	2.6	29	0.9		10	GND	
	36	3.0	30	0		31	3.1	
	37	2.5	31	5.0		12	3.0	
	38	2.8	32	5.0		14	1.4	
	39	2.2	1	5.0	IC4	1	1.4	
	40	2.8	2	GND		1.6(4.9)(1.2)		
	41	0.9(2.1)	3	5.0	IC303	5	8.1	
	42	5.0(3.0)	4	GND		6	GND	
	43	2.5(2.1)	1	1.6(4.9)(1.6)		9	3.5(3.2)	
	44	4.2(1.7)	2	GND		10	4.3	
	45	GND	3	GND		11	3.1	
	46	5.0	3	5.7(3.0)(5.7)		12	5.7(3.0)(5.7)	
	47	5.0	4	5.7(3.0)(5.7)		12	5.7(3.0)(5.7)	
	48	0	5	3.7		19	0.7	
	49	0	6	5.0		20	3.6	
	50	0	7	1.3		4	0.9	
	51	0.8	8	5.5		5	1.3	
	52	0.4(5)	9	GND	IC1001	6	1.6	
	53	0.4(4)	10	0.7		7	1.6	
	54	0.6(1.3)	11	0.1		9	GND	
	55	0.2(3)	12	5.5		10	0.9(1.1)	
	56	0	13	5.5		11	4.8	
	57	3.9	14	5.5		12	4.8	
	58	4.8	15	0		13	GND	
	59	0.8(0.1)	16	0		16	4.2	
	60	5.0	17	5.5		17	0.1	
	61	0	18	5.5		21	4.8	
	62	3.9	19	5.5		23	2.9	
	63	3.8(2.3)	19	5.5		25	4.2	
	64	GND	20	8.9		44	GND	
	65	0	21	4.4		49	GND	
	66	0	22	1.8(2.0)(1.8)		49	GND	
	67	0	23	4.4		55	GND	
	68	5.0	24	1.7(1.9)(1.7)		56	0	
	69	4.9	25	4.5		58	GND	
	70	0	26	1.6(1.9)(1.8)		59	GND	
	71	0	27	4.9(4.4)		60	GND	
	72	5.0	28	4.4(2.9)(3.5)		61	0	
	73	4.9	29	8.3		62	0	
	74	0.4(7)	30	0.6		63	0	
	75	5.0(4.6)	31	3.0		64	0	
	76	5.0(4.7)	32	3.0		66	4.3(4.8)(4.7)	
	77	5.0(3.0)	33	4.1		67	4.1(4.7)	
	78	0	34	4.0		68	3.5(3.0)(3.0)	
	79	0.8	35	4.6				
	80	5.0						
	1	GND						
	2	GND						
	3	GND						

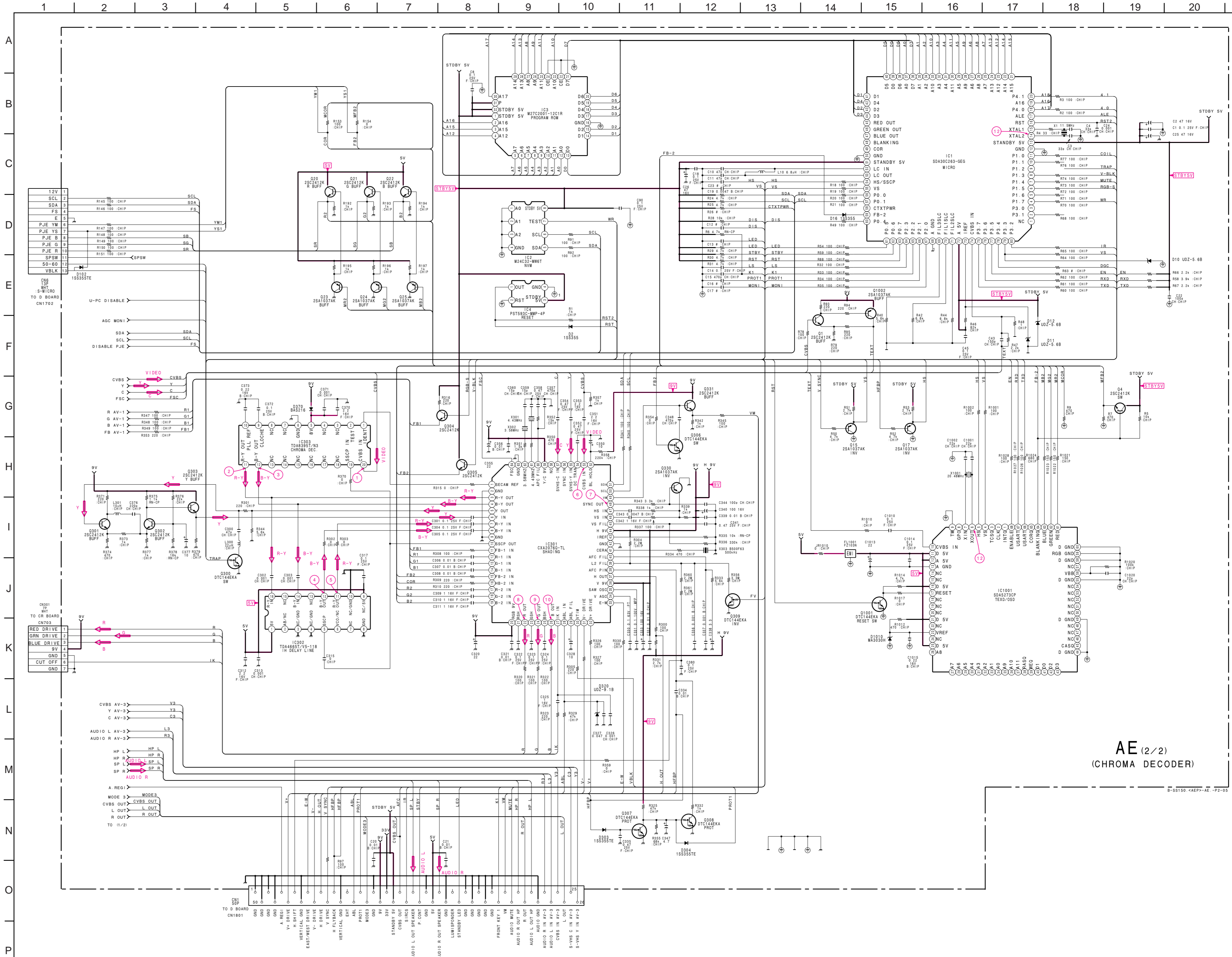
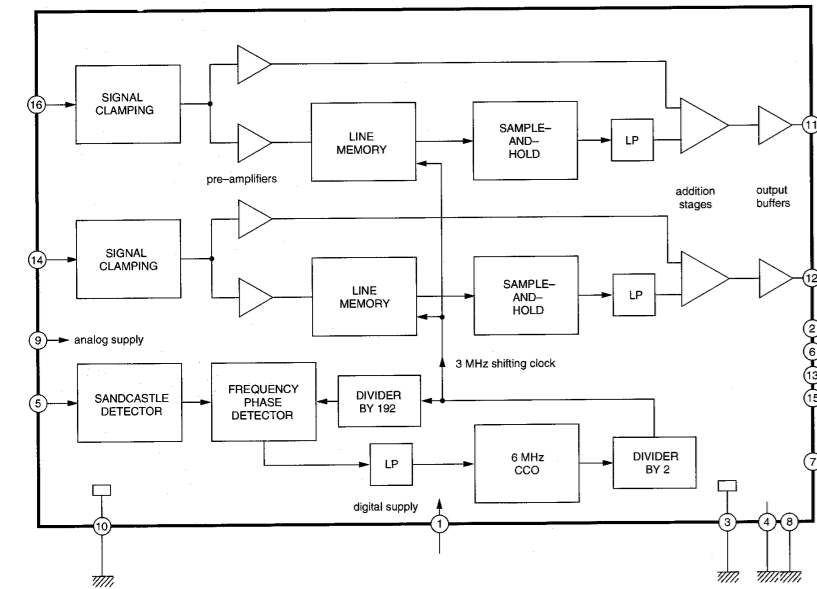
\*All voltage are in V.  
 \*Can not measured.  
 \*Pin numbers which are not defined are not used.

AE(2/2) BOARD TRANSISTOR VOLTAGE LIST

REF	VOL.	REF	VOL.
Q1	B 3.6	Q302	E 3.0
	E 3.0		C 5.7
Q4	B 0.4	Q303	E 5.1
	C 8.2		C 5.0
Q15	B 0.2	Q304	B 0
	C GND		C 5.0
Q17	E 1.4	Q305	E 0
	C GND		C 5.0
Q20	B 0.7	Q306	B 0
	C 4.9		C 0.2
Q21	E 0.2	Q307	E GND
	C 4.7		C 0
Q22	E 0.2	Q308	E GND
	C 4.8		C 3.4
Q23	B 0	Q309	B 0(4.9)
	C GND		C 3.6(0)
Q24	E 0.7	Q330	E 5.1(5.3)
	B 0		B 6.4
Q25	E 0.7	Q331	E 5.7
	C GND		C 8.9
Q300	E GND	Q1001	E GND
	B 3.7		C 0.1
Q301	E 3.0	Q1002	C 9.0
	C 5.3		C 5.3

All voltages are in V.

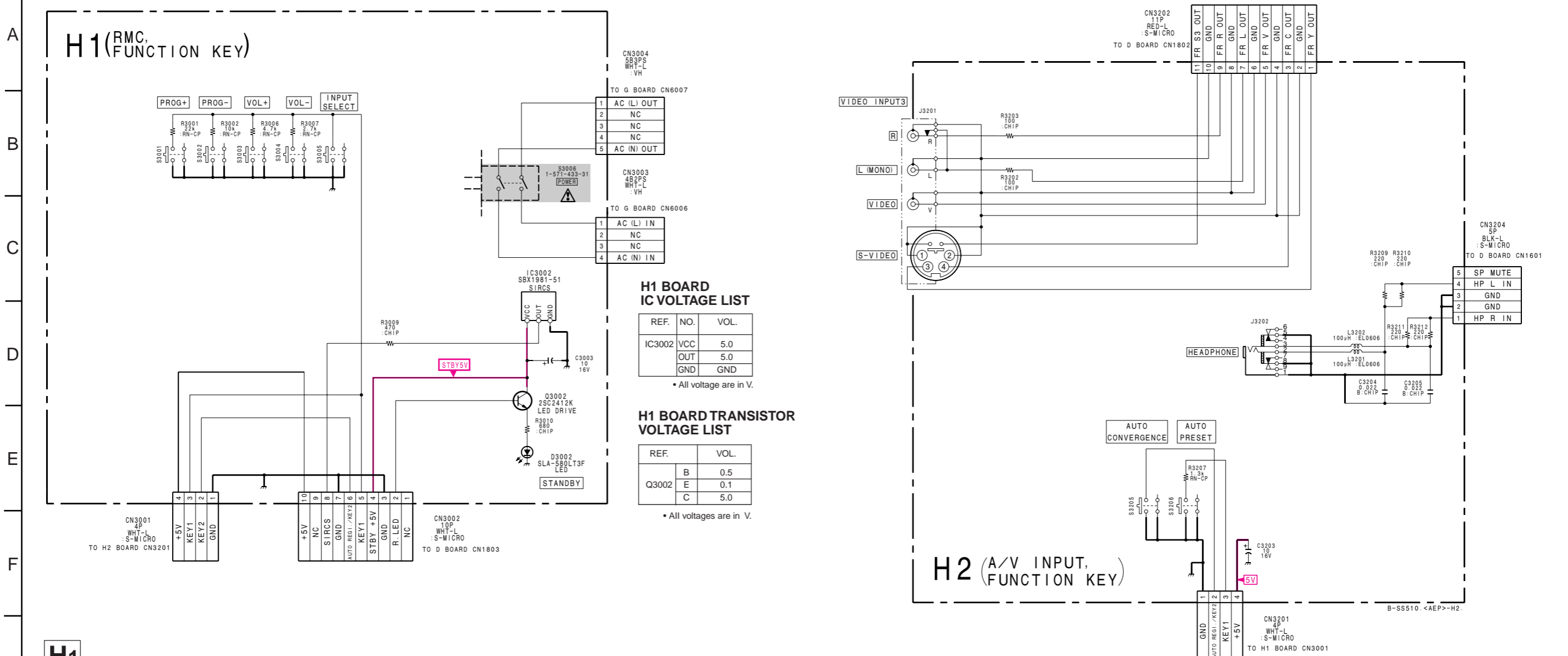
AE(2/2) BOARD : IC302 TDA4665T



AE(2/2)  
(CHROMA DECODER)

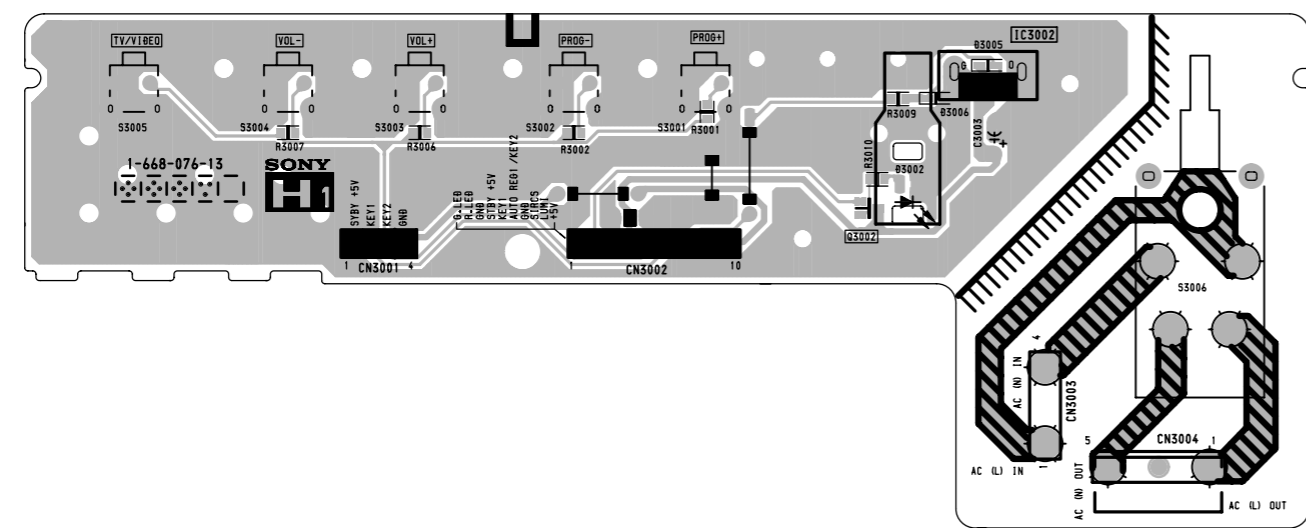
© 1985 SONY ELECTRONICS INC.

1 2 3 4 5 6 7 8 9 10 11 12 13 14 15



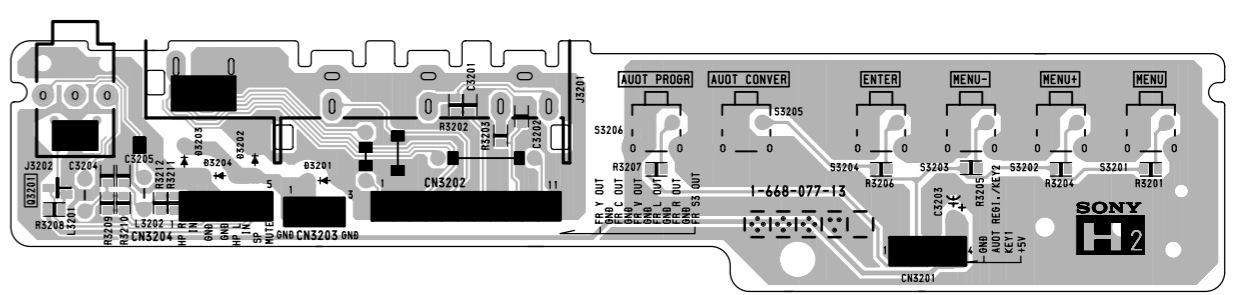
**H1** [FUNCTION KEY, RMC]

- H1 Board -



**H2** [A/V INPUT, FUNCTION KEY]

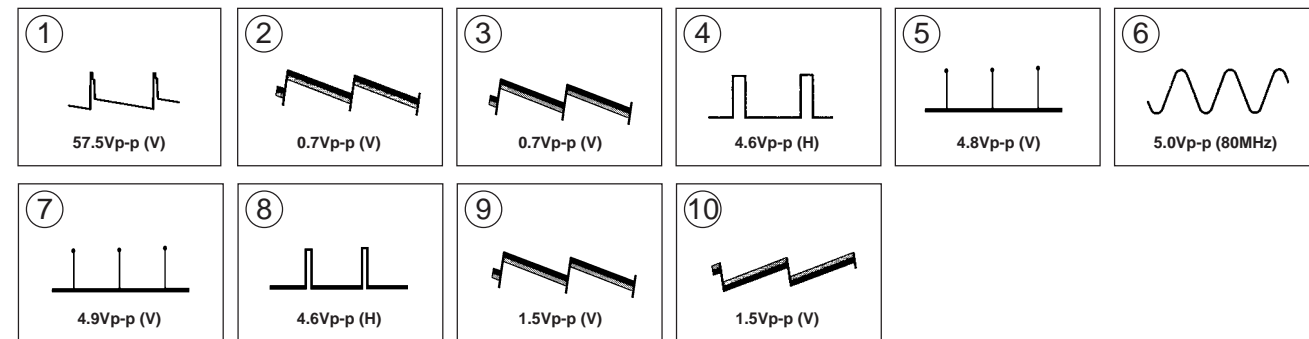
- H2 Board -



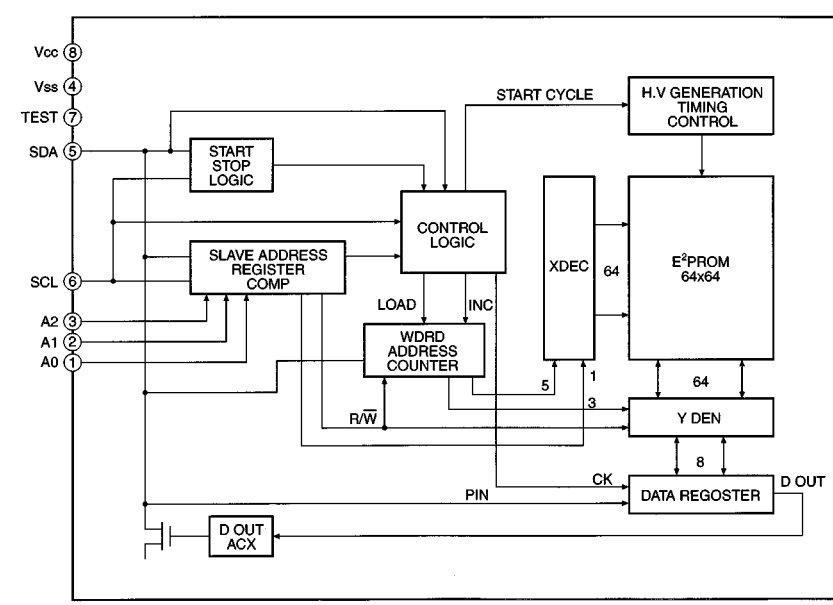




• D BOARD WAVEFORMS



D BOARD : IC1702 ST24C08FM6TR



D BOARD IC VOLTAGE LIST

REF.	NO.	VOL.	REF.	NO.	VOL.	
IC1501						
1	1.1	32	0			
2	14.4	34	0.1			
3	-13.1	35	0.1			
4	-14.3	36	2.8			
5	0.2	37	2.8			
6	14.3	38	5.0			
7	1.1	39	5.0			
IC1502						
1	GND	40	GND			
2	0	42	4.9			
3	0	44	4.8			
4	0.1	45	4.8			
5	0.1	46	4.4			
6	0.1	47	4.7			
8	GND	48	4.3			
9	0	49	2.2			
10	0.1	50	2.3			
11	-0.4	51	2.3			
13	5.0	52	2.0			
14	-4.9	IC1702	1	GND		
IC1503						
1	3.1	2	GND			
2	3.1	3	GND			
3	3.1	4	GND			
4	GND	5	4.8			
5	3.0	6	4.8			
6	3.0	7	GND			
7	3.0	8	5.0			
8	5.0	IC1703	1	3.9		
1	0	2	23.0	3	GND	
3	0	4	-14.4	5	GND	
4	20.5	6	0	7	5.8	
5	-23.0	8	0	8	14.6	
6	0	IC1704	1	0.3		
1	4.1	2	0	3	GND	
2	9.0	3	GND	4	-14.4	
3	4.1	4	-14.4	5	GND	
4	GND	6	0	7	2.9	
5	0.6	8	0	8	14.6	
6	0	IC1706	2	GND		
8	0.6	3	GND	4	-14.4	
9	0.7	5	5.0	6	2.4	
10	0.2	7	2.9	8	14.6	
11	5.0	IC1801	I	5.0		
4	4.7	0	7.0			
5	5.0	G	GND			
6	0.2	O	0			
7	0.2	IC1802	7	4.9		
9	0.7	C	9.0			
10	0.2	O	9.1			
11	5.0	IC1803	I	14.6		
12	GND	G	GND			
13	2.4	O	12.1			
14	2.1	E	6.7			
17	2.5	G	GND			
18	0.2	O	5.0			
19	3.9	IC1805	I	4.8		
20	3.1	2	2.4			
21	0	3	2.4			
22	0	4	GND			
23	5.0	5	2.4			
24	5.0	6	2.4			
25	0	7	4.8			
30	0.1	8	9.0			
31	0					

D BOARD TRANSISTOR VOLTAGE LIST

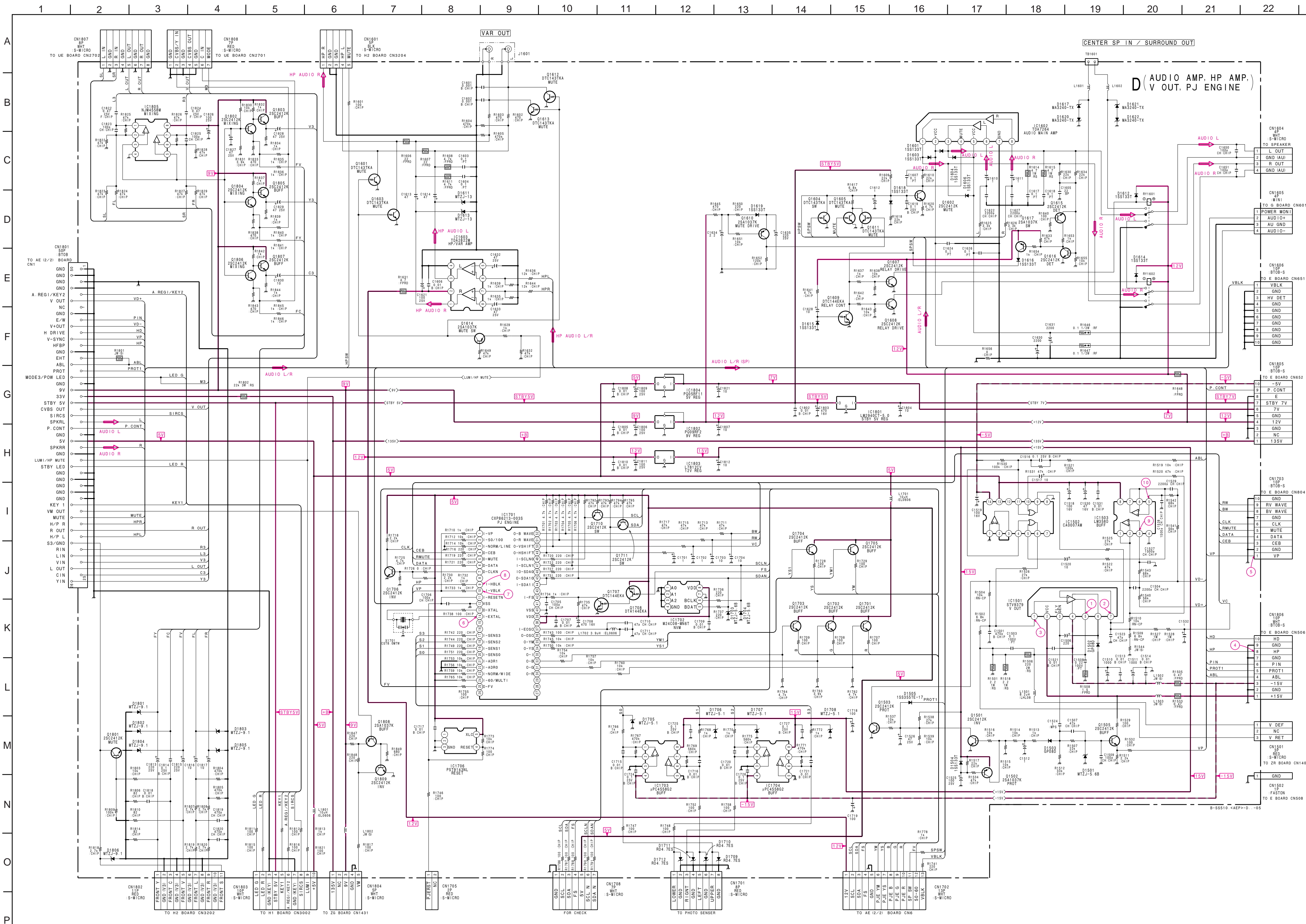
REF.	VOL.	REF.	VOL.
Q1501			
B	0.7	B	0.1
E	GND	E	0.2
C	0	C	5.0
Q1502			
B	14.5	B	0
E	0.2	E	0
C	2.0	C	5.0
Q1503			
B	0	B	0
E	GND	E	0.2
C	3.0	C	5.0
Q1505			
B	-0.5	B	0
E	0.2	E	0
C	14.4	C	5.0
Q1601			
B	0.7	B	0
E	GND	E	0
C	0	C	5.0
Q1602			
B	0.6	B	0
C	20.7	C	4.7
Q1603			
E	GND	E	GND
C	0	C	5.0
Q1604			
E	GND	E	5.0
C	1.1	C	0
Q1605			
B	0.8	B	4.6
E	GND	E	4.7
C	0.1	C	4.7
Q1607			
B	0.3	B	4.6
C	13.9	C	4.0
Q1608			
E	GND	E	GND
C	13.9	C	2.4
Q1609			
E	GND	E	1.8
C	0.3	C	5.0
Q1610			
B	13.9	B	5.0
E	13.7	E	4.3
C	0.1	C	9.0
Q1611			
B	0	B	2.4
E	GND	E	1.7
C	0	C	5.0
Q1612			
B	0.7	B	5.0
E	GND	E	4.4
C	0	C	9.0
Q1613			
E	GND	E	1.8
C	0	C	5.1
Q1614			
B	0.2	B	5.1
E	0.8	E	4.4
C	0.7	C	9.0
Q1615			
B	0	B	5.8
E	0	E	6.4
C	0.2	C	0.7
Q1616			
B	0.2	B	0.7
E	GND	E	GND
C	0.2	C	1.2
Q1617			
B	11.7	B	0
E	11.8	E	0
C	0.4	C	0.4

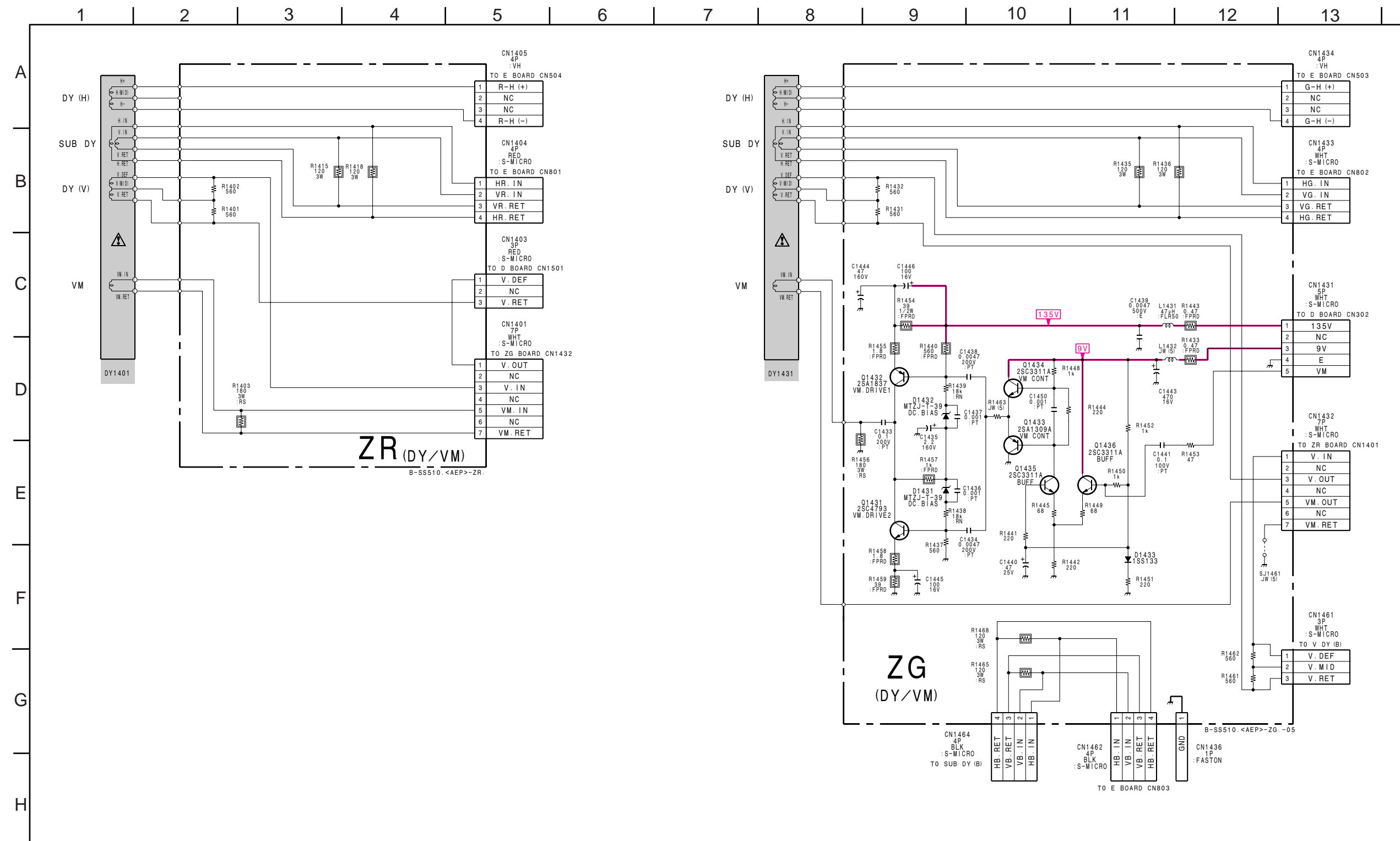
All voltages are in V.

• All voltage are in V.  
• Pin numbers which are not described are not used.

Schematic diagram  
← E board

Schematic diagram  
D board →





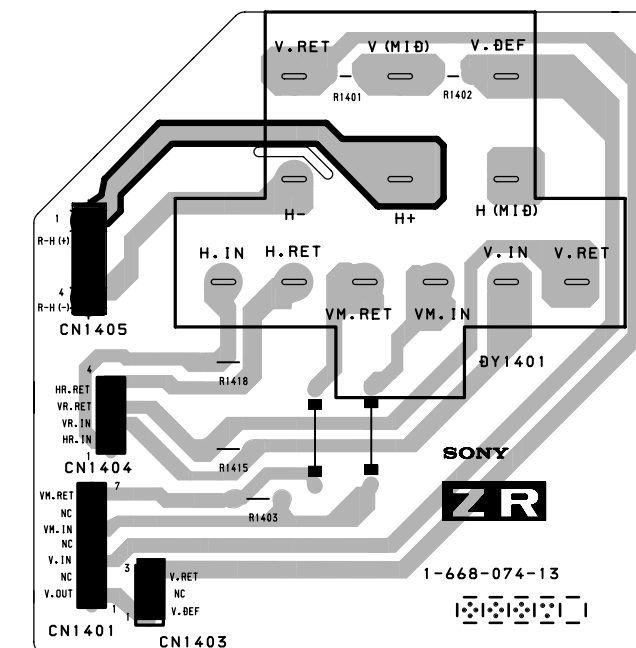
**ZG BOARD TRANSISTOR VOLTAGE LIST**

REF.	B	VOL.
Q1431	B	1.0
	E	0.5
	C	68.6
Q1432	B	134.5
	E	134.9
	C	68.6
Q1434	B	5.9
	E	6.1
	C	GND
Q1435	B	6.5
	E	6.1
	C	9.0
Q1436	B	2.2
	E	1.6
	C	9.0

All voltages are in V.

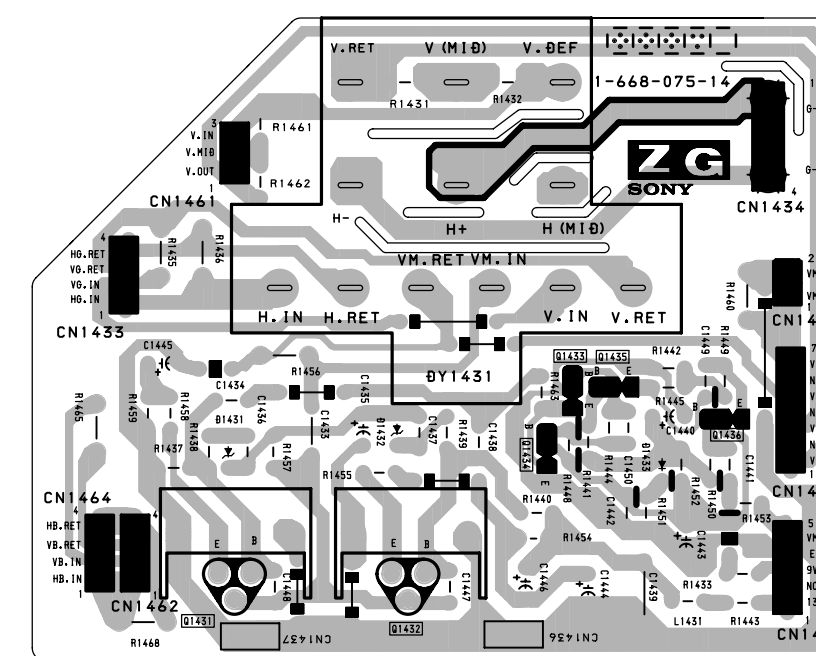
**ZR [DY/VM]**

- ZR Board -



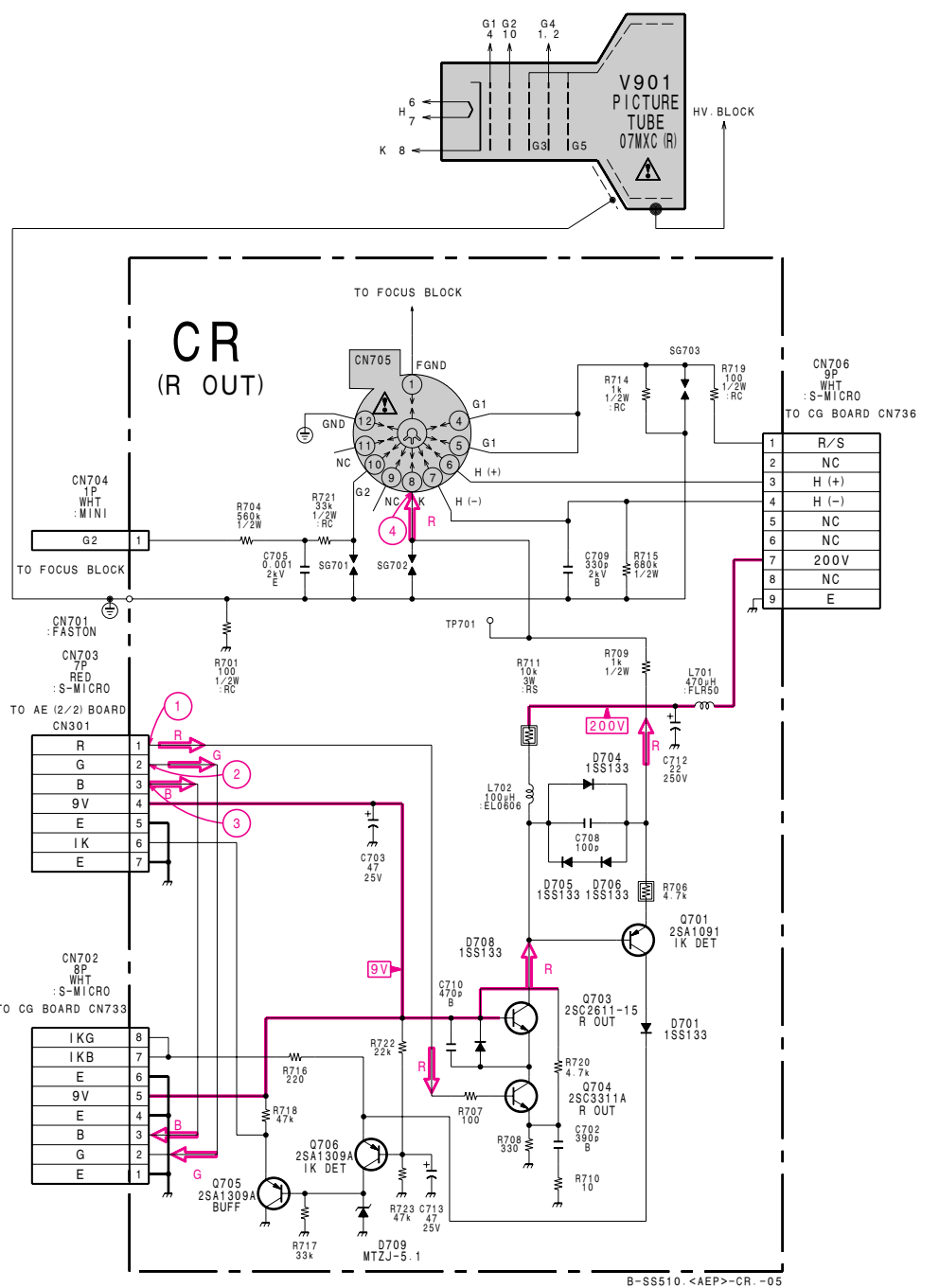
**ZG [DY/VM]**

- ZG Board -



1 2 3 4 5 6 7 8 9 10 11 12 13 14 15

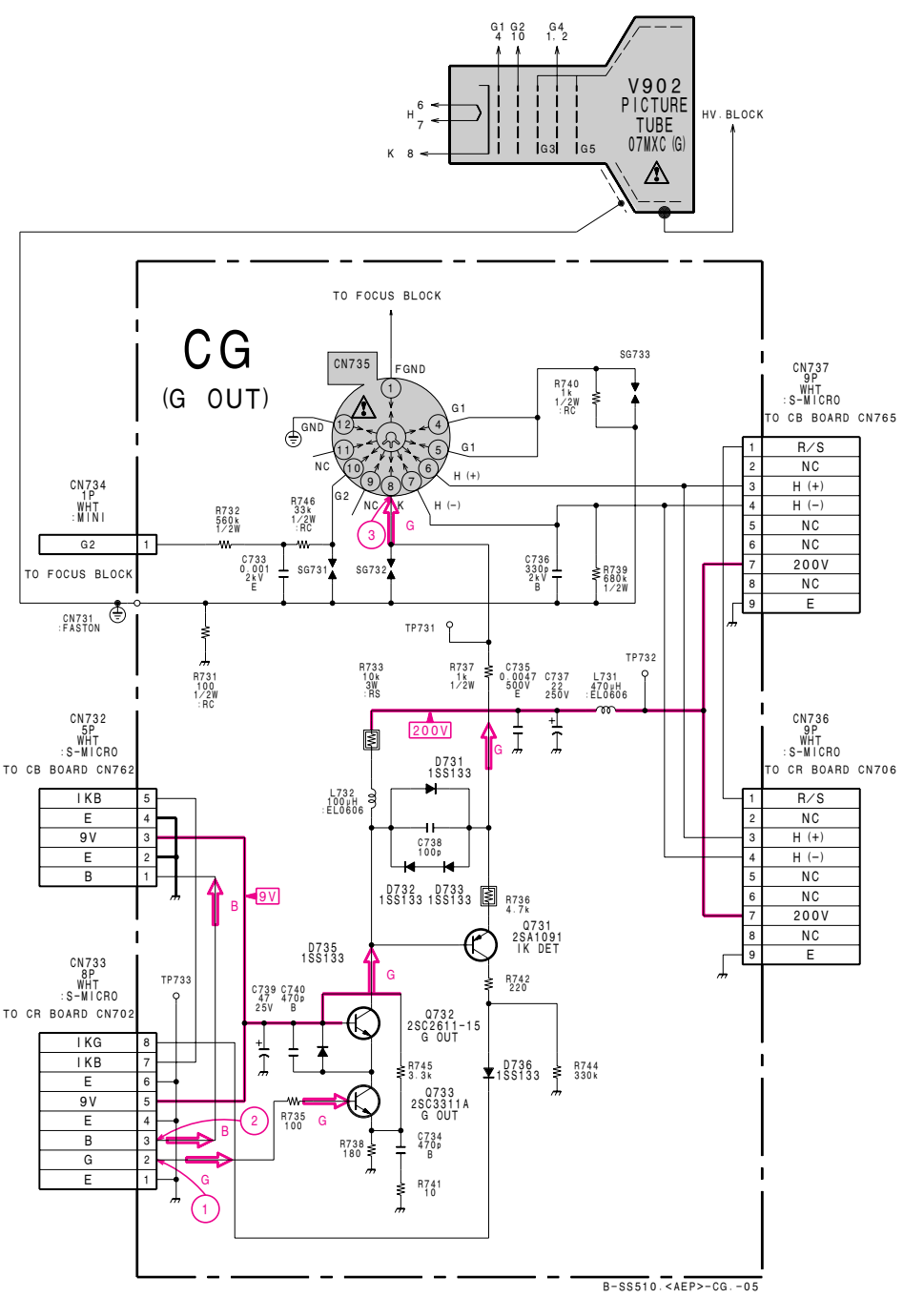
A  
B  
C  
D  
E  
F  
G  
H  
I  
J



**CR BOARD TRANSISTOR VOLTAGE LIST**

REF.	VOL.
Q701	B 160.9
	E 156.9
	C 11.3
Q703	B 9.0
	E 8.5
	C 160.9
Q704	B 1.8
	E 1.2
	C 8.5
Q705	B 3.4
	E 3.2
	C GND
Q706	B 5.7
	E 10.9
	C 3.4

All voltages are in V.



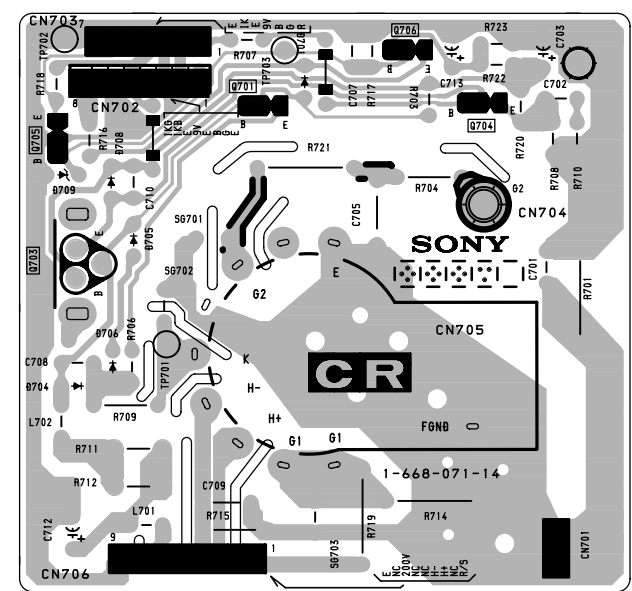
**CG BOARD TRANSISTOR VOLTAGE LIST**

REF.	VOL.
Q731	B 150.4
	E 144.4
	C 11.5
Q732	B 9.0
	E 8.5
	C 150.4
Q733	B 1.8
	E 1.3
	C 8.5

All voltages are in V.

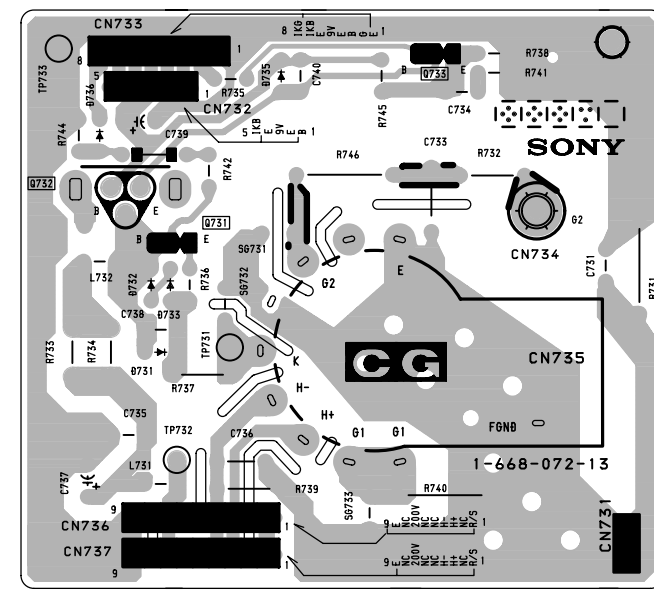
**CR** [R OUT]

- CR Board -

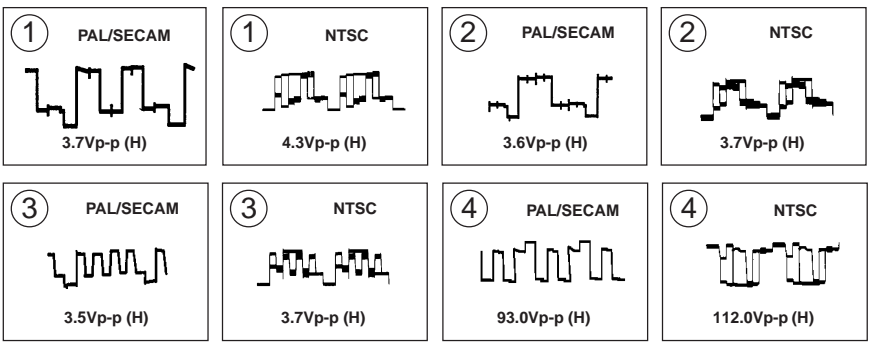


**CG** [G OUT]

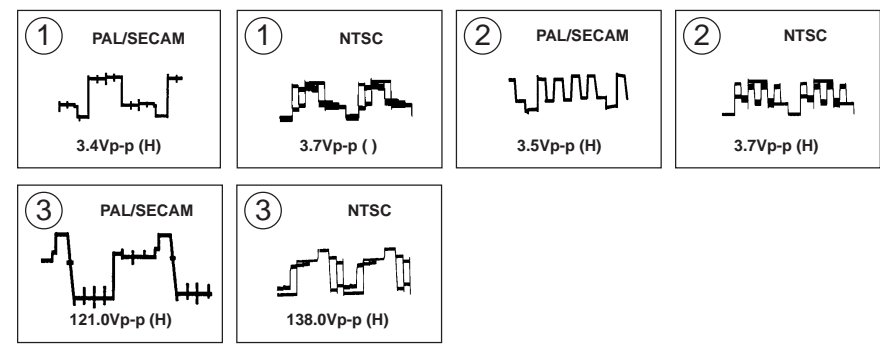
- CG Board -



**• CR BOARD WAVEFORMS**

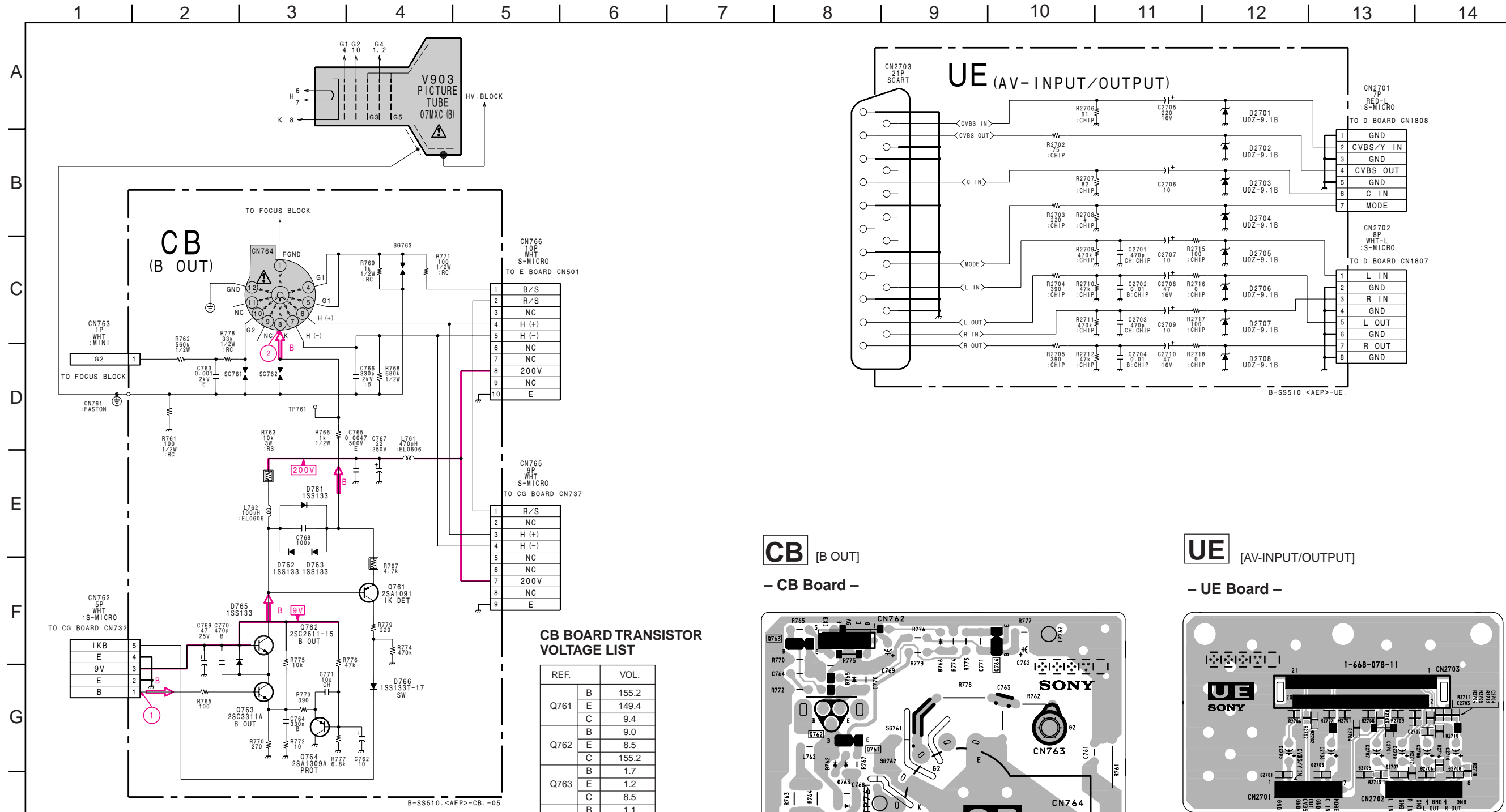


**• CG BOARD WAVEFORMS**



Schematic diagrams  
← **CG** **CR** boards

Schematic diagrams  
**CB** **UE** boards →

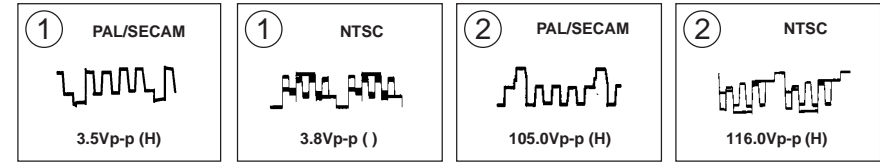


**CB BOARD TRANSISTOR VOLTAGE LIST**

REF.		VOL.
Q761	B	155.2
	E	149.4
	C	9.4
Q762	B	9.0
	C	155.2
	E	1.7
Q763	B	1.2
	C	8.5
	E	1.1
Q764	B	1.2
	C	GND
	E	GND

All voltages are in V.

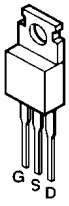
**• CB BOARD WAVEFORMS**



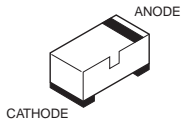
**6-5. SEMICONDUCTORS**

<p><b>CA0007AM</b> M24C32-MW6T M24C08-MN6T μPC4558G2</p> <p>8pin</p>	<p><b>CXP86213-001S</b></p> <p>52pin</p>	<p><b>PM0002B</b></p> <p>42pin</p>	<p><b>STK392-150</b></p> <p>18pin</p>	<p><b>2SA1175-HFE</b> 2SC2785-HFE</p> <p>LETTER SIDE</p>
<p><b>CA0007AD</b> NJM2058D RC4560D TDA2822M TDA7264</p> <p>8pin</p>	<p><b>IR2112</b> μPC339C</p> <p>14pin</p>	<p><b>PQ05RF11</b></p> <p>12pin</p>	<p><b>TDA8395T/N3</b></p> <p>20pin</p>	<p><b>2SA1208</b> 2SC1091-O</p> <p>LETTER SIDE</p>
<p><b>CXA1315M</b> MC14052BDR2</p> <p>16pin</p>	<p><b>IR3M02A</b> TDA4665T/V5-118</p> <p>16pin</p>	<p><b>PQ09RF2</b> TA7812S μPC2405HF</p> <p>12pin</p>	<p><b>M27C2001-12C1RW402</b></p> <p>32pin</p>	<p><b>2SB734-34</b></p> <p>LETTER SIDE</p>
<p><b>CXA2076Q-TL</b></p> <p>64pin</p>	<p><b>MSP3410D-PS-B4-T-ND</b> SDA5273CP-GEG SDA5273-3CP</p> <p>68pin</p>	<p><b>PST593C-MMP-4P</b> PST9143NL</p> <p>4pin</p>	<p><b>TOP209D</b></p> <p>8pin</p>	<p><b>2SC2611-15</b> 2SC2688-LK</p> <p>LETTER SIDE</p>
<p><b>CXD2024AQ-T4</b> SDA30C263-GEG</p> <p>80pin</p>	<p><b>NJM7805FA</b> NJM7905FA</p> <p>13pin</p>	<p><b>SBX1981-51</b></p> <p>3pin</p>	<p><b>DTA144EK-T146</b> DTC143TKA-T146 DTC144EK-T146 2SA1037K-T-146-R 2SA1162G 2SC1623-L5L6 2SC2412K-QR</p>	<p><b>2SC5022-02</b></p> <p>LETTER SIDE</p>
<p><b>CXD2044Q-TL</b></p> <p>80pin</p>	<p><b>PA0053B</b></p> <p>18pin</p>	<p><b>SE135N</b></p> <p>3pin</p>	<p><b>STV9379</b></p> <p>7pin</p>	<p><b>2SC4632LS-CB7</b> 2SD2539 (LBSony-1)</p> <p>LETTER SIDE</p>
<p><b>PC123F2</b></p> <p>4pin</p>	<p><b>DTC144ESA-TP</b></p> <p>3pin</p>			

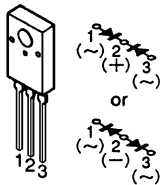
2SK2251-01-F119



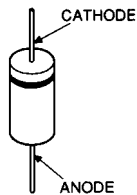
BAS216



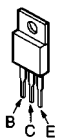
D10SC6M-4012



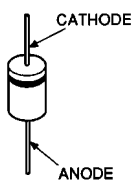
D2S4M  
D4SBS4-F



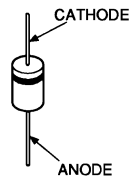
IRFI744G-LF



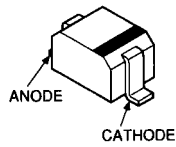
EL1Z  
GP08D  
MTZ-T-77-9.1A  
S2L40F  
UF4005PKG23



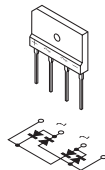
ERC06-15S  
ERD29-08J  
S2LA20F



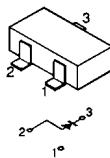
DTZ33B  
DTZ6.8B  
DTZ9.1  
RD5.6S-B  
UDZ-TE-17-6.8B  
1SS355TE-17



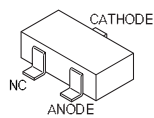
D6SB6OL  
RBA-406B



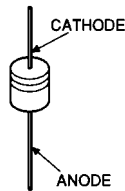
MA3030-H(TX)



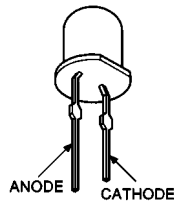
MA3240-TX



MTZJ-13  
MTZJ-30B  
MTZJ-7.5B  
RD13ES-B2  
RD20ES-B2  
RD3.6ES-B1  
RD39ES-B2  
RD4.7ESB2  
RD4.7ES-TIB  
RD5.1ES-B1  
RD5.1ES-B2  
RD5.6ES-B2  
RD7.5ES-B2  
1SS119-25  
1SS133T-77



SLA-580LT3F



U05G

